



ISO 9001  
ISO 14001  
**BUREAU VERITAS**  
Certification



Multi-process washing machines

**ARTURO**

**IBERKLEEN**

[WWW.IBERKLEEN.COM](http://WWW.IBERKLEEN.COM)



*Experience, Innovation, Development,  
QUALITY*

Maintenance sector - Automotive parts  
washing Industrial mould washing -  
Mechanical industry Aerospace industry - 3D  
printing industry - Paint industry - Electronics  
industry - Pharmaceutical industry

*Solutions for every need*

**IBERKLEEN** 



**Security sensor on the door**  
Safety sensor that blocks the use of the machine when the door is open, whether in automatic or manual washing mode.



**Double washing circuit**  
Equipped with two independent washing circuits with 2 pumps to ensure better washing quality.



**Oil separator disc**  
Oil separator disc that removes impurities and oil from the top of the wash tank, keeping the water cleaner for longer.



**Manual washing control knobs**  
Hand controls which, in combination with the two foot controls, allow the basket rotation or manual washing to be activated.



**Tank discharge valve**  
Large ball valve for easy emptying of the tank.



**Height adjustable feet**  
The machine is supported on 4 height adjustable feet to level the machine and position it at the right height for the trolley.

### Control panel

Simple to use mechanical control panel.  
 Selector to switch on or off the washing liquid heating.  
 Display for setting the washing temperature up to 80 °C, and the treatment time.  
 Two-hand control for opening and closing the door.  
 Selector to activate the oil separator disc.



### Manual wash control panel

The side control panel for manual washing, once activated, allows us to use the 2 control pedals to activate the manual washing pump and to activate the rotation of the washing basket.



### Included accessories

Oil separator disc with motor to remove the oil from the top layer of the tank when the water is calm.

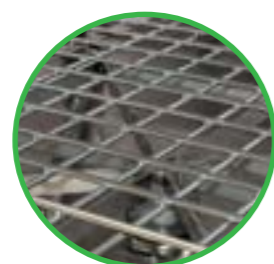
Reinforced steel basket with trolley to support high loads.

Insulated tank to reach washing temperatures of 80°C, device for delayed opening of the door and vapour extractor.

Oil separator disc



Reinforced basket



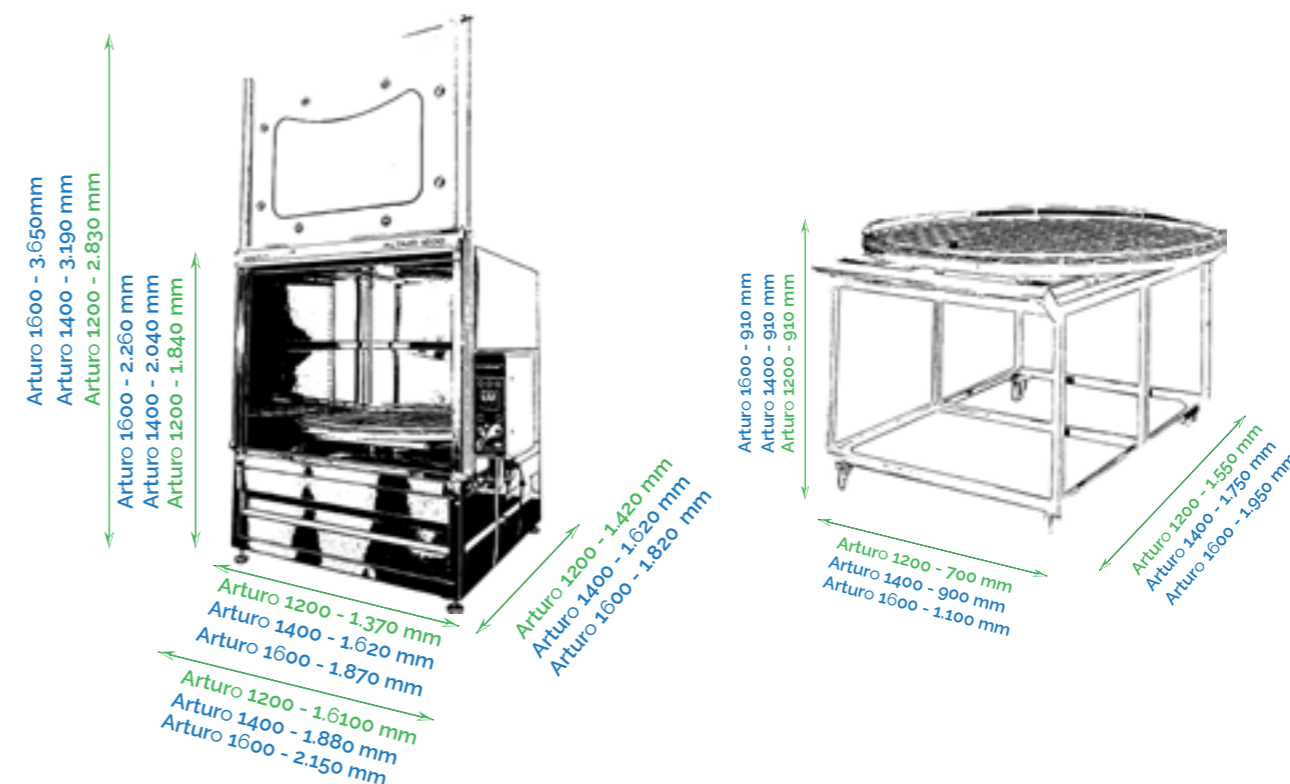
Insulated tank



Fume extractor

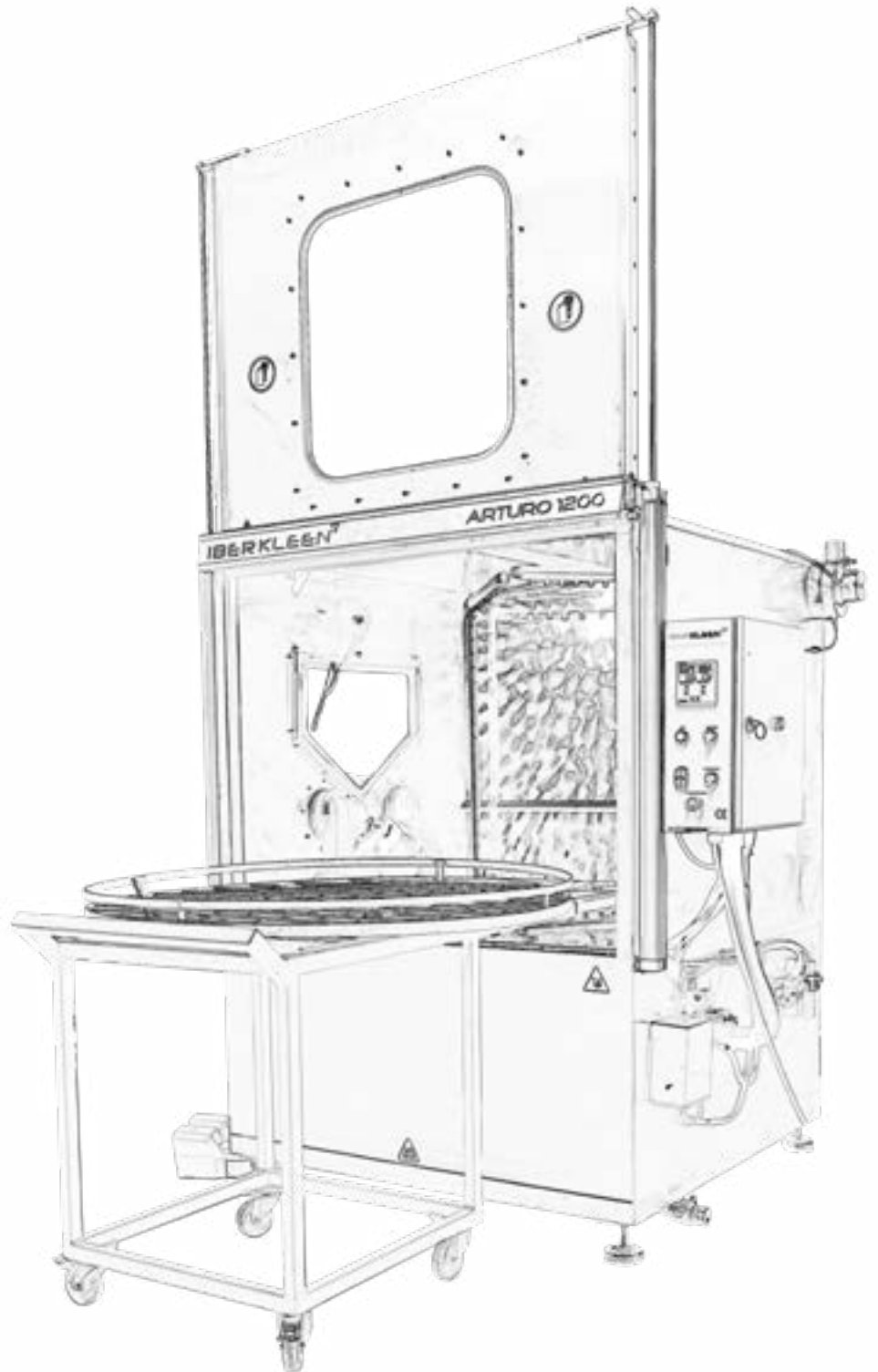


### Dimensions



### TECHNICAL DATA

	ARTURO 1200	ARTURO 1400	ARTURO 1600
Basket diameter	1200 mm	1400 mm	1600 mm
Washing height	700 mm	700 mm	800 mm
Carrying capacity	500 Kg	600 Kg	700 Kg
Power supply	400V - 3 PH - 50 Hz		
Fume extractor	0.75 Kw		
Pump pressure	1x 6 bar	2x 6 bar	2x 6 bar
Tank capacity	300 litres	300 litres	350 litres
Heating	3x 7.5 Kw		
Thermostat	0-90° C		
Pneumatic supply	6-8 bar		
Material	Aisi 430		
Packaging	2000x1650x2170	2010x1670x2190	2210x1820x2390
Weight	550 Kg	600 Kg	650 Kg



ISO 9001  
ISO 14001  
**BUREAU VERITAS**  
Certification



## **IBERKLEEN**

Pol. Ind. Villayuda  
C/ la Demanda S/N  
Naves Azucarera, Nave C1  
09007 - Burgos  
ESPAÑA

Tel.: +34 947 215 125

[www.iberkleen.com](http://www.iberkleen.com)  
[info@iberkleen.com](mailto:info@iberkleen.com)

